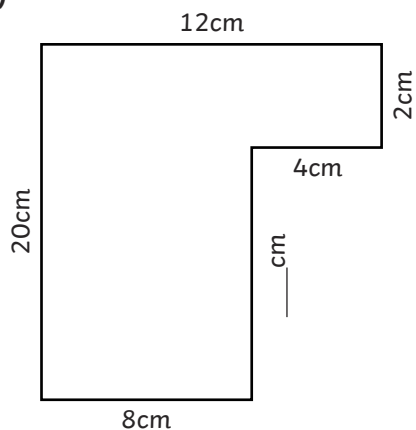




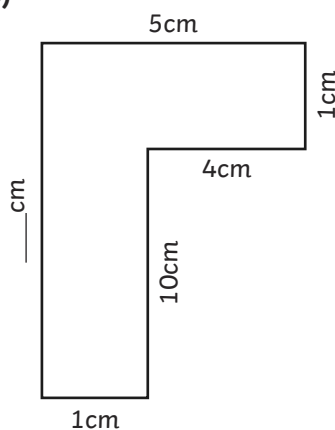
1) Find the missing side lengths and calculate the perimeter of these rectilinear shapes.

a)



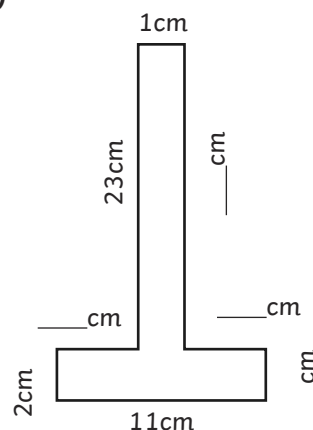
Perimeter = _____

b)



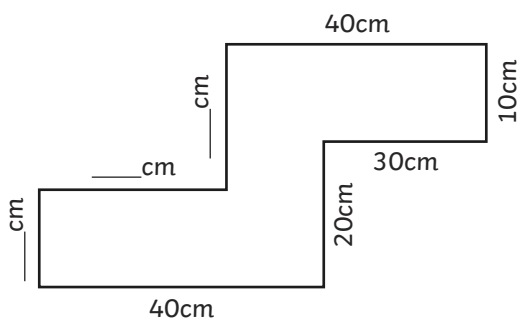
Perimeter = _____

c)



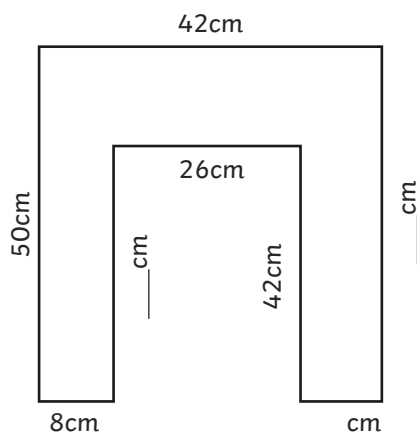
Perimeter = _____

d)



Perimeter = _____

e)

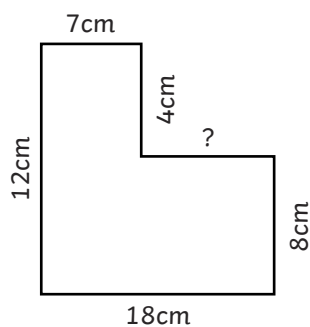


Perimeter = _____

2) Draw three different rectilinear shapes that have a perimeter of 20cm.



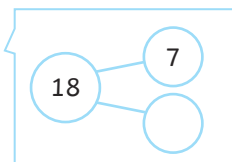
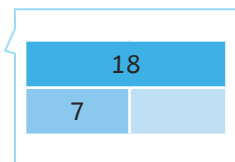
1) Carlos wants to calculate the perimeter of this rectilinear shape but it has a measurement missing from one of its sides. His friends have suggested different ways of finding the missing side. Which strategies will work? Explain your reasoning.



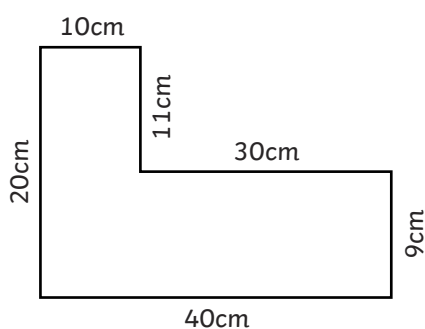
$$7 + \underline{\quad} = 18$$



$$18 - 7 = \underline{\quad}$$



2) Solange has worked out the perimeter of this rectilinear shape. Can you explain her mistake and find the correct answer?

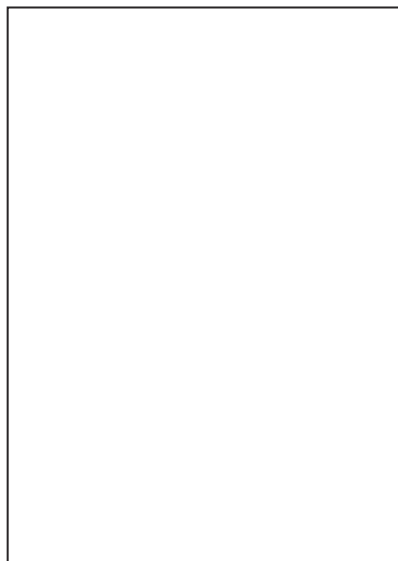


	4	0		
	2	0		
	1	0		
	1	1		
+	3	0		
	1	1	1	cm

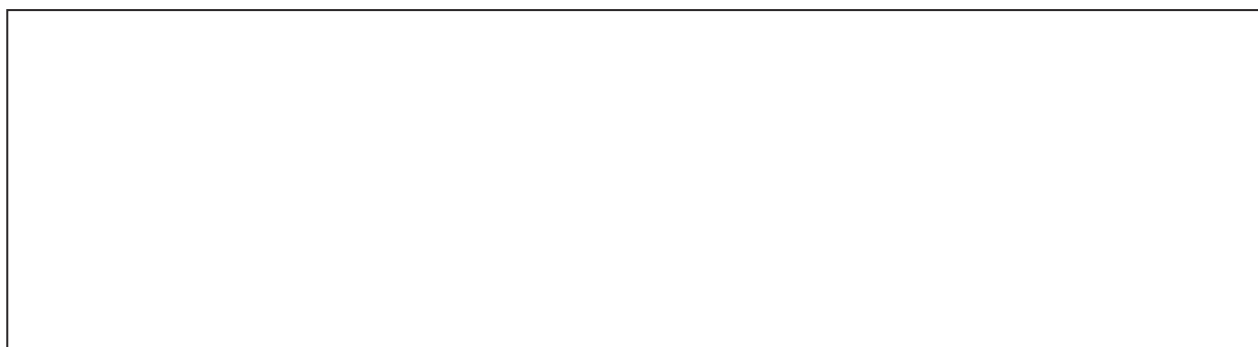


1) a) Draw a rectilinear shape that has a perimeter of 32cm. The shape must only be made up of two rectangles.

Find three possible solutions.



b) Find a fourth possibility that uses three or more rectangles.



2) Look at the shape below. It has been created using four rectangles, each with a width of 4cm. The length of each rectangle is 6 times the width. What is the perimeter of the square inside?

